

Technical data sheet



Product features

Electric grill water direct 31x48 counter top 230 V

Model	SAP Code	00010040
--------------	-----------------	----------



– Removable rim: Yes

SAP Code	00010040	Net Weight [kg]	11.00
Net Width [mm]	330	Power electric [kW]	3.300
Net Depth [mm]	620	Loading	230 V / 1N - 50 Hz
Net Height [mm]	335		

Technical data sheet



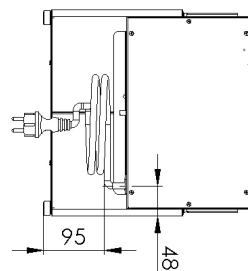
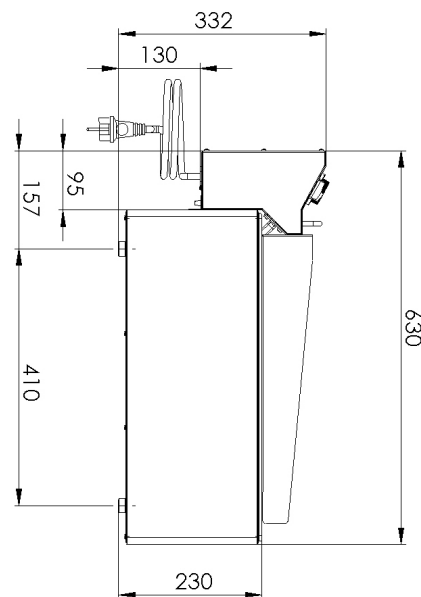
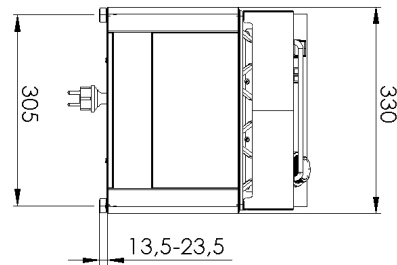
Technical drawing

Electric grill water direct 31x48 counter top 230 V

Model

SAP Code

00010040



Technical data sheet



Product benefits

Electric grill water direct 31x48 counter top 230 V

Model

SAP Code

00010040

1

All-stainless design

long life
resistance of AISI 304 stainless steel material
the material does not cut

- savings on service interventions
- easier and faster operation

2

Degree of protection of the control elements IPX4

maintenance-free system
resistance to splash water
long life

- savings on service interventions
- easy cleaning and maintenance of equipment

3

Special shape of the grates

ensures that the oil drips directly into the water bath
instead of onto the heater

- the heater is not destroyed
- easy cleaning and maintenance of the equipment
- safety

4

High detachable hem

better hygienic conditions
preventing grease from splashing onto
ancillary equipment

- easy maintenance
- easy cleaning

5

Removable water container

easy cleaning from food residues
removes fat burning and thus carcinogenic substances

- no wear and tear on the grill and easy cleaning

Technical data sheet



Technical parameters

Electric grill water direct 31x48 counter top 230 V

Model

SAP Code

00010040

1. SAP Code:

00010040

2. Net Width [mm]:

330

3. Net Depth [mm]:

620

4. Net Height [mm]:

335

5. Net Weight [kg]:

11.00

6. Gross Width [mm]:

380

7. Gross depth [mm]:

665

8. Gross Height [mm]:

485

9. Gross Weight [kg]:

13.00

10. Device type:

Electric unit

11. Construction type of device:

Table top

12. Power electric [kW]:

3.300

13. Loading:

230 V / 1N - 50 Hz

14. Protection of controls:

IPX4

15. Material:

Stainless steel

16. Indicators:

operation and warm-up

17. Device heating type:

Direct

18. Standard equipment for device:

stainless steel scraper for cleaning

19. Number of power control stages:

6

20. Grid material:

Stainless steel

21. Removable rim:

Yes

22. Grid shape:

the grid made up of flat heaters allows food to be placed directly on it, the fat from the food flows under the heaters into the water bath